

Cinénova Clarté Line Array LCR

The Earthquake Cinénova Clarté IW-4503/OW-4503 is a versatile line array LCR speaker designed to be mounted vertically or horizontally into standard stud bays. It is a genuine space-saving option in adding the crucial front left, center, and right channels to a home theater or media room. This speaker style may also be used for surround sound channels in high-end audio systems.

The Cinénova Clarté Line Array LCR speaker handles up to 600 watts of power, so it can be utilized for a variety of sound systems. Four 5.25" glass fiber cone midbass drivers work unitedly with a strong yet efficient magnet structure to produce outstanding mid-range and midbass tones while retaining their shape even at exceptionally high energy levels, letting you increase the volume and experience rich, breathtaking sound without distortion or coloration. Finishing the frequency range are three 2" audiophile-quality ribbon tweeters that provide distortion-free high notes and crisp vocals. The in-wall version is designed with an invisible trim that offers a high-end aesthetic allowing it to integrate seamlessly into its surroundings within new or pre-existing constructions of standard stud bays (IW-4503 only). Depending on the application, these models are conveniently installed with cross-style mounting brackets or dog ear Turn-N-Lock™ mechanisms with included templates. Wire management is made possible via a center wiring groove that runs the entire enclosure, allowing installers to keep wires hidden and out of sight for a professional look. With Earthquake's Cinénova Clarté Line Array LCR, you will transform your listening experience in music and movies with elegant sound reproduction and tonal balance.

FEATURES

- In-wall or on-wall line array speaker system
- Used for left, right, center, and surround channels
- Four 5.25" glass fiber cone midbass drivers
- Three 2" audiophile ribbon tweeters
- Sonically neutral cabinet design
- Custom-built second order crossover network with Polyswitch protection
- Cross style mounting brackets (OW-4503 only)
- Turn-N-Lock™ mounting mechanism (IW-4503 only)
- Magnetically attached and paintbale grilles
- Center wiring groove
- Finish: Brushed black aluminum (IW-4503 LCR)
High gloss black (OW-4503)



The combination of 5.25" glass fiber cone midbass drivers paired with 2" ultra-fast ribbon tweeters provide remarkable sound quality and pinpoint accuracy.



Cinénova Clarté 4503 LCR

SPECIFICATIONS

MODEL	OW-4503 LCR / IW-4503 LCR
Power Handling	120W RMS / 600W MAX
Frequency Response	80Hz-40kHz
Crossover Frequency	HP 12dB/Oct @ 2kHz LP 12dB/Oct @ 2kHz
Sensitivity	92dB 1W/1M
Impedance	8-Ohm
Coverage Angles	15°-90° Vertical 80°-130° Horizontal
Weight	24.47 lbs (11.10 kgs)

MSRP

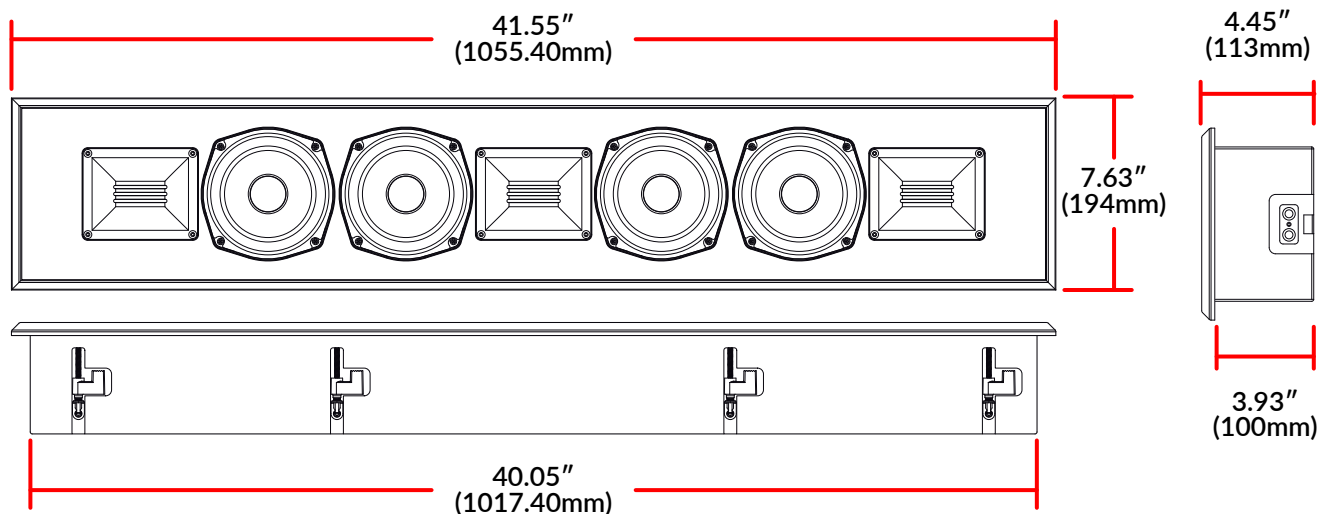
IW-4503 LCR
\$1,399.00/PIECE



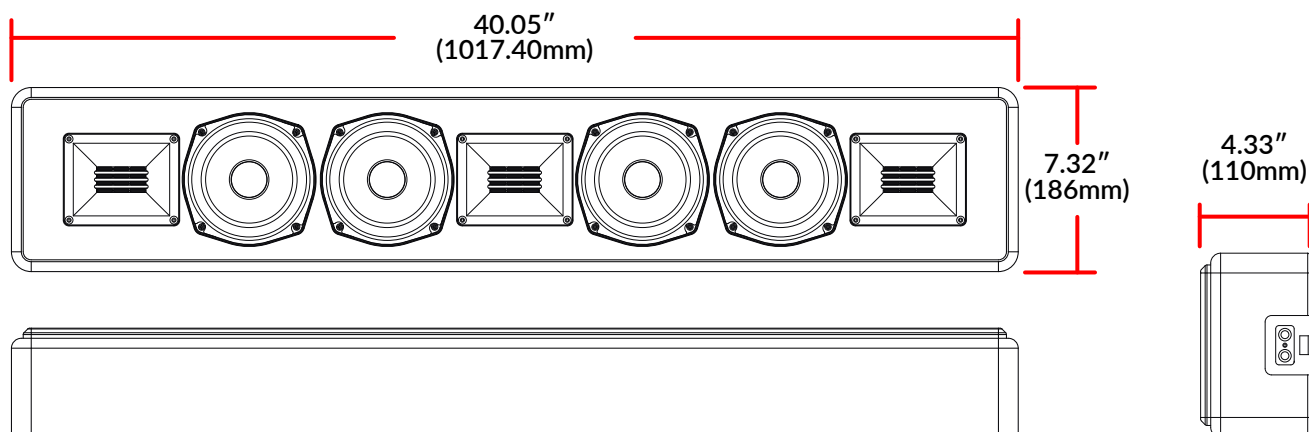
OW-4503 LCR
\$1,100.00/PIECE



IW-4503 LCR



OW-4503 LCR



Earthquake Sound Corporation

2727 McCone Avenue, Hayward, CA 94545 • www.earthquakesound.com • 510-732-1000
©2023 Earthquake Sound Corporation. All copyrighted, trademarked, and patented elements mentioned herein are the sole property of Earthquake Sound Corporation.