

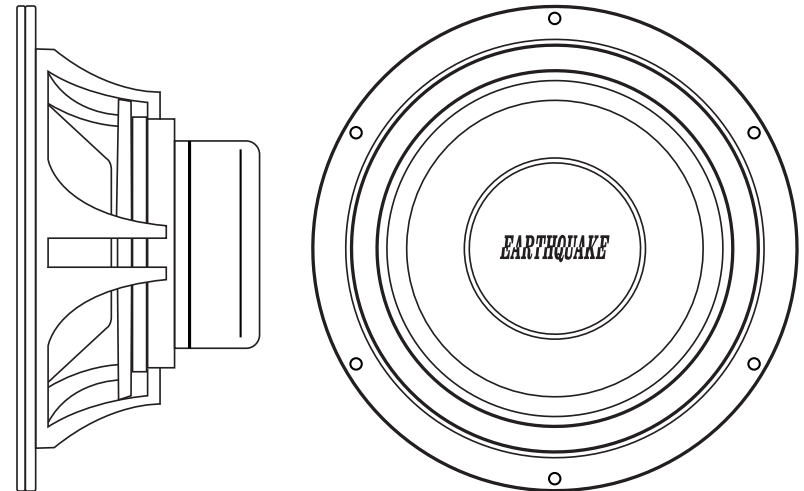


The Sound That Will *Move* You

EQ NEO SERIES

Professional Midrange/Midbass Drivers

EQ650 | EQ800 | EQ1000



The Sound That Will *Move* You

Earthquake Sound reserves the right to amend details of the specifications without notice.

© Copyright Earthquake Sound Corporation
Earthquake Sound Corporation

2727 McCone Avenue, Hayward, CA 94545

Phone: (510) 732-1000 Fax: (510) 732-1095

Earthquake Sound Corp. | (510) 732-1000 | www.earthquakesound.com

TABLE OF CONTENTS

Introduction.....	3
Features.....	3
Specifications.....	3
Thiele Small Parameters.....	4
EQ650 Dimensions.....	4
EQ800 Dimensions.....	5
EQ1000 Dimensions.....	5
Warranty Information.....	6
For Your Records.....	7



The Sound That Will Move You

Earthquake Sound Corporation
2727 McCone Avenue
Hayward, CA 94545, USA
Tel: 510-732-1000
Fax: 510-732-1095

Customer Support
tech@earthquakesound.com
Tel: 510-732-1000
Fax: 510-732-1095

© 2021 Earthquake Sound Corporation. All rights reserved.

This document should not be construed as a commitment on the part of Earthquake Sound Corporation. The information is subject to change without notice. Earthquake Sound Corporation assumes no responsibility for errors that may appear within this document.

FOR YOUR RECORDS

Date of Purchase: _____

Authorized Dealer/Installer Info:

Name: _____

Address: _____

Phone: _____

Serial Number:

Notes

WARRANTY INFORMATION

Earthquake Sound warrants the original purchaser that all **Factory Sealed New Audio products** be free from defects in material and workmanship, under normal and proper use, for a period of one **(1) year from the date of purchase** (as shown on the original sales receipt with serial number affixed/written on it). The one (1) year limited warranty period is valid only if the product is properly installed by an Earthquake Sound authorized party and the warranty registration card is properly filled out and sent to Earthquake Sound Corporation. If the product is installed by a non-authorized party, a thirty (30) day warranty period applies.

(A) One (1) year limited warranty guidelines:

Earthquake pays for labor, parts and ground freight (US Mainland only, not including Alaska and Hawaii. shipping to us is not covered).

(B) Warning:

Products (sent for repair) that are tested by Earthquake technicians and deemed to have no problem(s) will not be covered by the limited warranty. Customer will be charged a minimum of one (1) hour of labor (at ongoing rate) plus the shipping charges back to the customer.

(C) Earthquake agrees to repair or replace - at our discretion - all such defective products/parts subject to the following provisions:

- Defective products/parts have not been altered or repaired by other than an Earthquake factory approved technician.
- Products/parts are not subjected to negligence, misuse, improper use, or accident, damaged by improper line voltage, used with incompatible products, or have its serial number or any part of it altered, defaced or removed, or have been used in any way that is contrary to Earthquake's written instructions.

(D) Warranty Limitations:

Earthquake warranty does not cover products that have been modified or abused, including but not limited to the following:

- Damages due to misuse, abuse or use of improper cleaning materials/methods.
- Bent frame, broken connectors, holes in speaker cone, holes/cracked in wall plate, burnt parts.
- Fading, deterioration of components & finish due to improper exposure to elements.
- Burnt tracers on PCB.
- Product/part damaged due to poor packaging or abusive shipping conditions.
- Subsequent damage to other products.

A warranty claim will not be valid if the warranty registration card is not properly filled & returned to Earthquake with a copy of the sales invoice.

(E) Service Request:

To receive product(s) service, contact Earthquake Sound's service department at (510) 732-1000 or tech@earthquake-sound.com and request an RMA (Return Material Authorization) number as item(s) shipped without a valid RMA number will be refused. Make sure you provide us with your complete and correct shipping address, a valid daytime phone number, and a brief description of the problem you are experiencing with the product. In most cases, our technicians might be able to resolve the problem over the phone or via e-mail, thus eliminating the need to ship the product.

(F) Shipping Instructions:

Product(s) must be packaged inside its original protective box(es) to minimize transportation damage. Shipper claims regarding items damaged in transit must be presented to carrier. Earthquake Sound Corporation reserves the right to refuse improperly packaged product(s). A copy of the original sales receipt must accompany the product(s) returned for service. Ship the product(s) to:

Earthquake Sound Corporation.
2727 McCone Avenue, Hayward, CA 94545
Tel: (510) 732-1000

The customer is responsible for the cost of shipping the product(s) to Earthquake Sound Corporation

(G) Disputes Resolution:

All disputes - between clients and Earthquake Sound Corporation - resulting from the one (1) year limited warranty policy must be resolved according to the laws & regulations of the county of Alameda, California.

INTRODUCTION

Congratulations on your purchase of an EQ NEO Series professional midrange/midbass driver. Proper handling, installation, and operation of this speaker will provide a lifetime of durability and high-end performance. It is important that you follow all installation and mounting instructions and recommendations in this manual closely and carefully to ensure optimal performance operation and longevity.

FEATURES

- Available in 6.5, 8, and 10 inch sizes
- Maximum musical output
- Copper voice coil
- Powerful neodymium motor
- Long lasting non-pressed paper cone
- Multi-roll cloth surround
- Die cast aluminum multi-vented basket
- Spring-loaded terminals

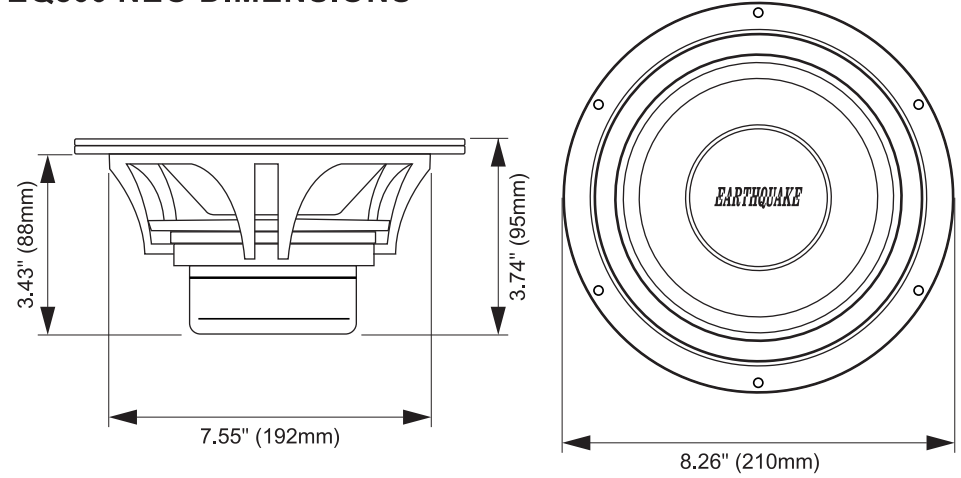
SPECIFICATIONS

GENERAL SPECS	EQ650	EQ800	EQ1000
Speaker Size	6.5" (165mm)	8" (203mm)	10" (254mm)
Overall Diameter	6.85" (174mm)	8.26" (210mm)	10.23" (260mm)
Overall Depth	3.30" (84mm)	3.75" (95mm)	4.72" (120mm)
Mounting Depth	3.03" (77mm)	3.43" (88mm)	4.40" (112mm)
Nominal Impedance	8 Ohm	8 Ohm	8 Ohm
Power Rating RMS	200 Watts	300 Watts	350 Watts
Power Rating MAX	400 Watts	600 Watts	700 Watts
Resonance	95Hz	87Hz	70Hz
Frequency Response	95Hz–8kHz	87Hz–6kHz	69Hz–6kHz
Sensitivity	95dB 2V/1M	97dB 2V/1M	97dB 2V/1M
Voice Coil Diameter	2" (50.5mm)	2.5" (63mm)	2.5" (mm)

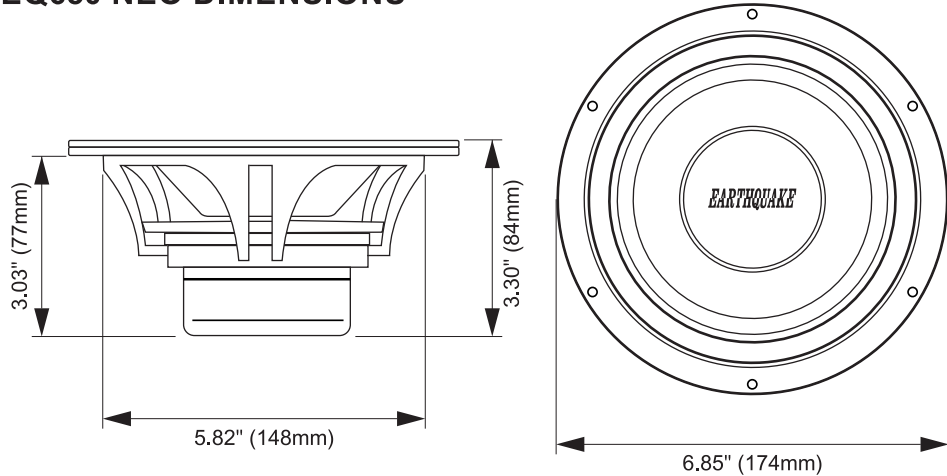
THIELE SMALL PARAMETERS

THIELE SMALL	EQ650	EQ800	EQ1000
Fo (Hz)	95Hz±15%	87Hz±15%	69Hz±15%
Revc (Ohm)	3.600	3.600	5.800
Qms	2.058	2.157	3.738
Qes	0.341	0.273	0.389
Qts	0.283	0.233	0.352
Vas (Ltr)	6.692	12.752	39.685
Cms (u M/N)	229.995	182.761	208.136
Mmd (m Kg)	11.000	16.000	21.000
Mms (g)	11.985	17.898	25.003
BL (TM)	8.925	11.518	12.793
No	1.670%	3.076%	3.347%
Sd (msqM)	15.314	23.167	36.643

EQ800 NEO DIMENSIONS



EQ650 NEO DIMENSIONS



EQ1000 NEO DIMENSIONS

