

SuperNova Luminous Series

When Earthquake Sound Corporation launched the MK series of powered subwoofers, it immediately put home theater subwoofers on steroids. While THX 1 and 2 required to have 35Hz at 105 dB, the MK series laughed at those numbers. As tested by many, Earthquake's MKIV 12 beat all subwoofers on the market (measured by Richard Hardesty of Widescreen Review, Dr. John E. Johnson of Secrets of Home Theater and High Fidelity, and Steven Stone's Stereophile

Guide to Home Theater). Earthquake Sound is pleased to announce the newly released Supernova Luminous Series LU-12 and LU-15 that further expands on the Supernova series of home audio subwoofers. Powered by the Luminous 1000 amplifier, these subwoofers pack power, features, and performance in an extremely compact enclosure with a luxurious black piano finish.



ACHIEVE DEEPER BASS AND FULL IMPACT SOUND EFFECTS

ODL CIRCUITRY

ODL (Optical Distortion Limiting) is an LED/LDR circuit that converts the analog audio signal to light and optically couples it to the driver stage. This prevents the amplifier from clipping when the gain is set too high which limits the distortion to near nil levels and maximizes performance of the Supernova Luminous.

MAGMA-X ACTIVE DRIVER

With a massive moving structure and double spider, the extremely high excursion MAGMA-X active driver enables the Supernova Luminous to achieve deep, dynamic, and hard-hitting bass response that we all desire in home theater setups.

NEW SLAPS V2 PASSIVE RADIATOR

A newly designed SLAPS passive radiator allows the Supernova LU-12/15 to reach dominating LFE without increasing the enclosure volume. The patented design of the SLAPS helps the subwoofer effortlessly produce more bass at sub-harmonic levels while reducing the load on the LM1000 amplifier. Simply put, the LU-12/LU-15 will suck and blow more air than any other subwoofer on the planet while producing massive bass down to 15Hz with absolutely zero port noise.



Remote, remote eye, and 8.5 ft. cable included

BALANCED XLR INPUT

The use of a fully balanced XLR input can be used in cases when the distance between the Supernova Luminous and the audio source is excessive and susceptible to noise interference. Use the selector switch between the RCA and XLR inputs to select the desired input method.

VARIABLE CROSSOVER FILTER

A 4th order 24dB/Octave variable crossover filter from 50-150Hz is designed to control the subwoofer's cutoff frequency. The general recommended setting is in the 2 o'clock position.

PHASE SHIFT SWITCH

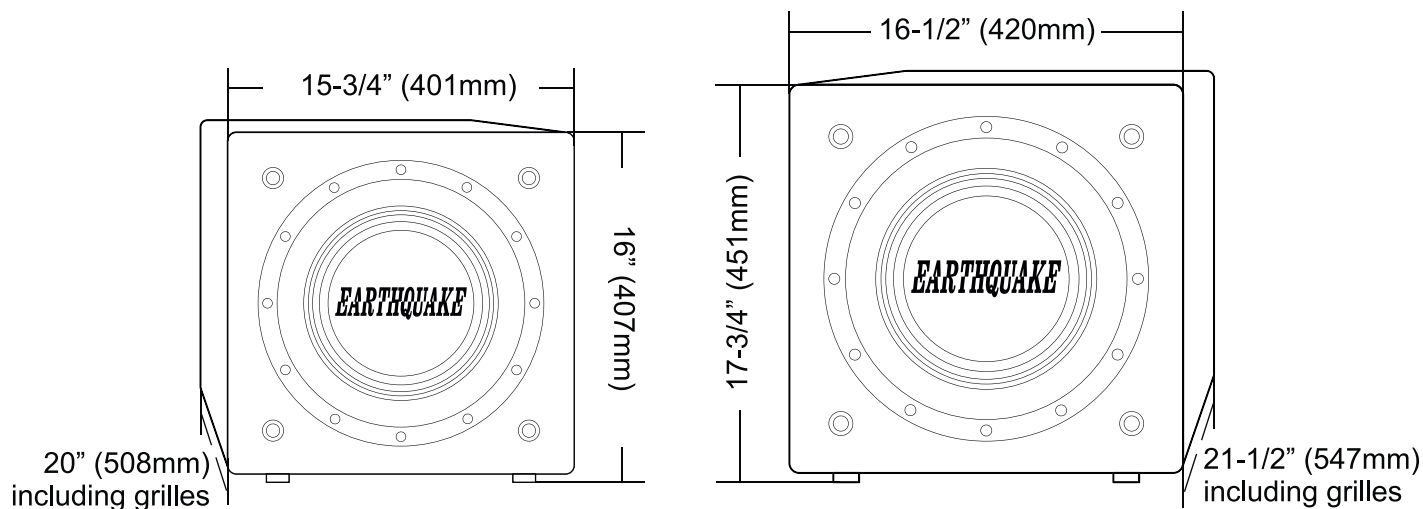
A 0°-180° phase switch allows users to synchronize the subwoofer to obtain a better and more precise bass response.

+12V TRIGGER INPUT/AUTO

This feature allows the user to power on the Supernova Luminous from your home A/V receiver. When the A/V receiver is turned on, a 12V signal is sent to the subwoofer and will power on while the power switch is on the off position.

SPECIFICATIONS

MODEL	LU-12 PIANO	LU-15 PIANO
Woofer Size	12" Active 12" SLAPS Passive	15" Active 15" SLAPS Passive
Frequency Response	18-145Hz	17-120Hz
Power Handling	600 WRMS 1200 PEAK	600 WRMS 1200 PEAK
Impedance	18 kOhm	18 kOhm
Crossover Frequency	50-150Hz	50-150Hz
Enclosure Type	Sealed with passive radiator	Sealed with passive radiator
Dimensions (HxWxD) includes grilles, knobs, and feet	16" x 15 3/4" x 20" 407mm x 401mm x 508mm	17 3/4" x 16 1/2" x 21 1/2" 451mm x 420mm x 547mm



MSRP:

LU-12	LU-15
\$2199.00	\$2599.00

Earthquake Sound Corporation

2727 McCone Avenue, Hayward, CA 94545 • www.earthquakesound.com • 510-732-1000
©2020 Earthquake Sound Corporation. All copyrighted, trademarked, and patented elements mentioned herein are the sole property of Earthquake Sound Corporation.