

Specification

Nominal Basket Diameter	10", 254mm
Nominal Impedance	8-Ohms
Max Power Rating	300 Watts
Resonance	316 Hz
Usable Frequency Range	200 Hz - 6.8 kHz
Sensitivity	95
Magnet Weight	38.29 oz.
Voice Coil Diameter	1.99", 50.5mm

Thiele & Small Parameters

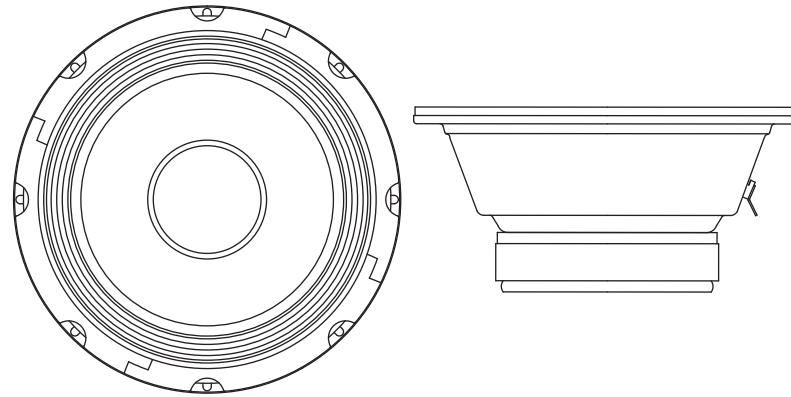
Resonant Frequency (fs)	316 Hz
DC resistance (Re)	6.5 Ohms
Coil Inductance (Le)	0.959 mH
Mechanical Q (Qms)	9.44
Electromagnetic Q (Qes)	3.10
Total Q (Qts)	2.34
Compliance Equivalent Volume (Vas)	36.5 liters / 1.3 cu. ft.
Mechanical Compliance of Suspension (Cms)	0.18mm/N
BL Product (BL)	11.7 T-M
Diaphragm Mass (Mmd)	28.3 grams
Maximum Linear Excursion (Xmax)	4.0mm
Surface Area of Cone (Sd)	0.0346 sqM

Mounting Information

Recommended Enclosure Volume	
Sealed	
Vented	1.0-2.1 ft3
Overall Diameter	10.157", 258.5mm
Cut Out Diameter	9.25", 235mm
Front Sealing Gasket	fitted as standard
Rear Sealing Gasket	fitted as standard
Mounting Holes Diameter	0.28" x 0.20" , 7.2mm x 5.2mm
Mounting Depth	4.15", 105.5mm

Materials of Construction

- Aluminum voice coil
- Polyimide former
- Ferrite magnet
- Vented and extended core
- Stamped steel basket
- Paper cone
- Cloth surround
- Solid composition paper dust cap



Earthquake EQ10S8 Pro Audio Series

