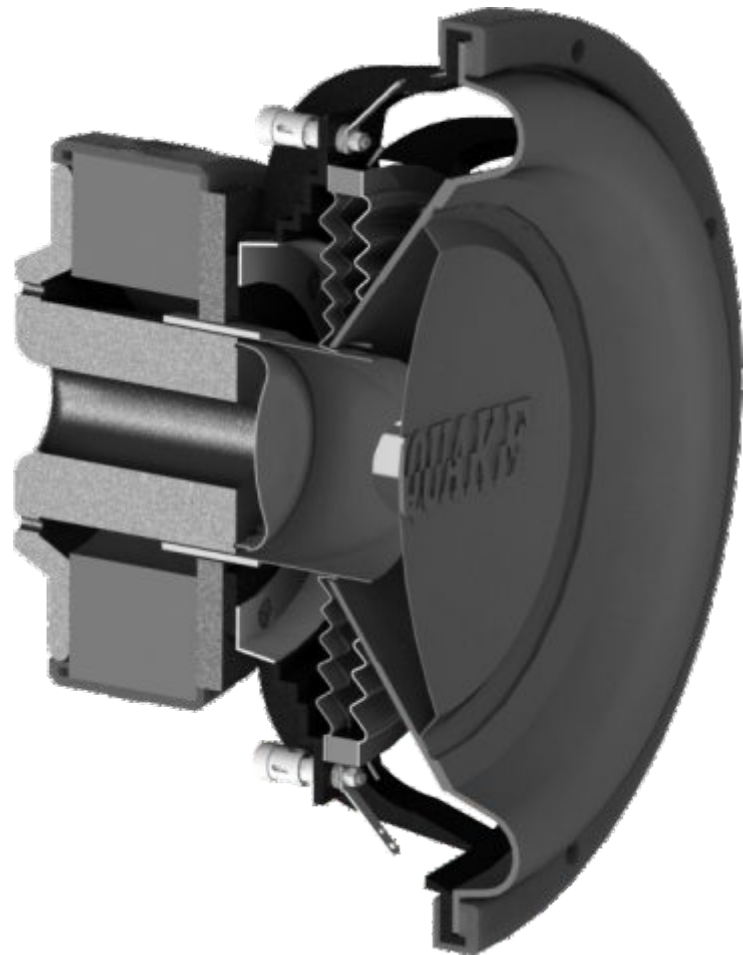


MAGMA12X

Installation booklet



Introduction

Thank you for purchasing the Magma subwoofer – the world's leading subwoofer in power, SPL and accuracy.

Back in 1995, Earthquake Sound Corporation led the industry in making the world's true extra long stroke subwoofer by unleashing the Magma subwoofer line. The Magma introduces many innovations to the audiophile community, as follows:

- 1st super wide edge surround to allow LONG EXCURSIONS
- 1-1/4" spider mounting height to allow for 2.5" PEAK TO PEAK MECHANICAL EXCURSIONS
- Stacked magnet with huge bump back plate to create high excursion MOTOR
- Light-mass flat piston to REDUCE CONE DISTORTION while maintaining high speed

NOTE: While this booklet may provide you with the necessary tools to build a solid good sounding enclosure for your subwoofer, Earthquake Sound recommends that you invest wisely and have our professionally trained Earthquake dealers help you optimize your enclosure design and the rest of your audio system.

- 6 back plate holes to create massive cooling in the gap

Upon its release, the Magma toppled DB drag records one by one like a bowling ball rolling through the lane. For over 12 years, the Magma reigns over the competitions in sound quality, power and accuracy. While Magma performance pushed the boundaries, the newly released Magma 12X ripped 'em apart.

Thank you,
Joseph Sahyoun, President



Designs & Engineering Honors

Poly-ether draw surround with thick single layer for longer life and max excursion

Edge reinforced inverted dust cap for lower cone distortion

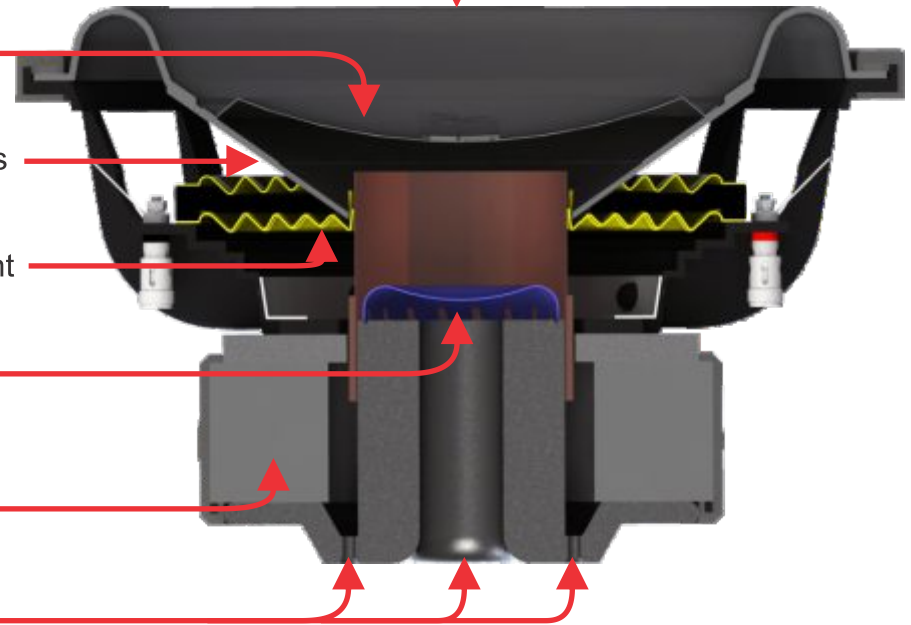
3mm stiff non-pressed fiber cone for faster response and lighter mass

Double MAX OD spider for more spider area and linear spring constant

Patented TCT™ (Turbo Cooled Technology) forced cooled motor—
in with the cold air and out with the hot air

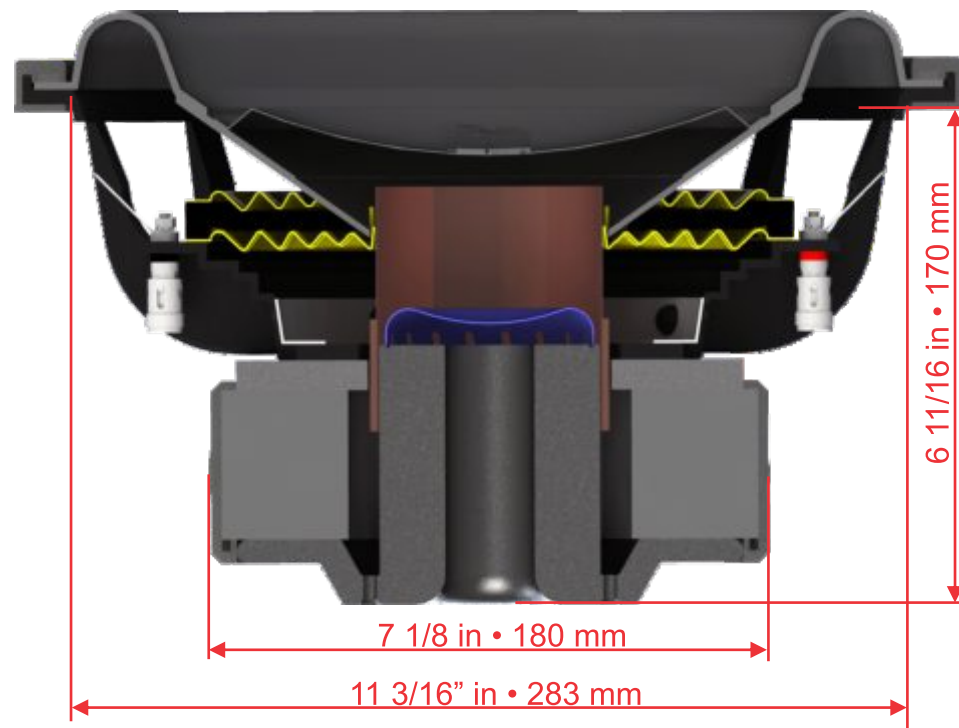
Super thick motor to assist long excursion – 2" thick

PBP™ (Perforated Back Plate) that circulate cold air into the gap



Specifications

PARAMETERS/SPECIFICATIONS	MAGMA 12X
Free Air Resonance (Fs)	26.38 Hz
Electrical "Q" (Qes)	0.805
Mechanical "Q" (Qms)	2.359
Total Speaker "Q" (Qts)	0.600
Equiv. Compliance (Vas)	2.126 ft ³ (60.20 liters)
Motor Strength (BL)	16.97 TM
Effective Piston Area (Sd)	82.15 in ² (0.053 m ²)
DC Resistance (Re)	5.8Ω
Nominal Impedance	Dual 4Ω
One-way Linear Excursion (Xmax)	1.5 in (38mm)
Efficiency (1W/1m)	83.7 dB SPL
Power Handling (continuous)	600W
Mounting Depth	6 11/16 in (170 mm)
Mounting Hole Diameter	11 3/16 in (283 mm)
Driver Displacement	0.080 ft ³ (2.4 liters)
Recommended Internal Box Volume	1.5 ft ³ (sealed) - 2.5 ft ³ (vented)



5 Year Limited Warranty Guidelines

[Valid in US Mainland Only]

Five (5) Year Limited Warranty: CAR AUDIO PRODUCTS

Earthquake Sound warrants to the original purchaser that all Factory Sealed New Audio Products to be free of defects in material and workmanship, under normal and proper use, for a period of five (5) years from the date of purchase (as shown on the original bill of sale with serial number affixed/written on it). **The five (5) year limited warranty period is valid only if the product is purchased from and properly installed by an authorized Earthquake Sound dealer/installer, and the warranty registration card is properly completed and mailed to Earthquake Sound Corporation.**

- **Products that are purchased from non-authorized dealer are not covered by warranty.**
- **If the product is not installed by an authorized dealer, then only a ninety (90) day warranty period applies.**

(A) Five (5) Year Limited Warranty Plan Coverage Guidelines:

- **First year:** Earthquake pays for labor, parts and ground freight (only in US mainland, not including Alaska, Puerto Rico and Hawaii) back to customer.
- **Second, third, fourth & fifth year:** Earthquake pays labor only. Customer must pay for parts, re-packing (if needed) and freight both ways.
- **Earthquake agrees to repair or replace – at our option – all such defective products/parts.**

(B) Warning:

Products (sent in for repair) that are tested by Earthquake technicians and deemed to have no problem will not be covered by the five (5) year limited warranty. Customer will be charged a minimum of one (1) hour of labor (ongoing rate) plus shipping and handling charges.

(C) Warranty Limitations:

- Defective products/parts have not been altered or repaired by other than an Earthquake factory approved technician.
- Products/parts were not subjected to negligence, improper use or accident, damaged by improper line voltage, used in incompatible products, or have its serial number or any part of it altered, defaced or removed, or have been used in any way that is contrary to Earthquake's written instructions.

- Damaged to speaker cabinet and cabinet finish due to misuse, abuse, or use of improper cleaning materials/methods.
- Bent speaker frame, broken speaker connectors, holes in speaker cone, surround and dust cap, burnt speaker voice coil.
- Fading, deterioration of speaker components and finish due to improper exposure to elements.
- Products/parts damaged due to poor packaging or abusive shipping conditions.

(D) Service Request:

To receive product(s) service, contact Earthquake Sound's service department at (510) 732-1000 and request an RMA (Return Material Authorization) number. Items shipped without a valid RMA number will be refused. Make sure you provide us with your complete/correct shipping address (NO P.O. Box), a valid phone number and a brief description of the problem you are experiencing with the product(s). In most cases, our technicians might be able to resolve the problem over the phone, thus eliminating the need to ship the product(s).

(E) Shipping Instructions:

Product(s) must be packaged in its original protective box(es) to minimize transport damage, otherwise a re-packing charge may apply). Shipper claims regarding items damaged in transit must be presented to carrier. Earthquake Sound Corporation reserves the right to refuse products that are improperly packed. Copy of original bill of sale must accompany the product(s) being returned for service. We encourage you to include a written description of the problem along with the package. Ship product(s) to:

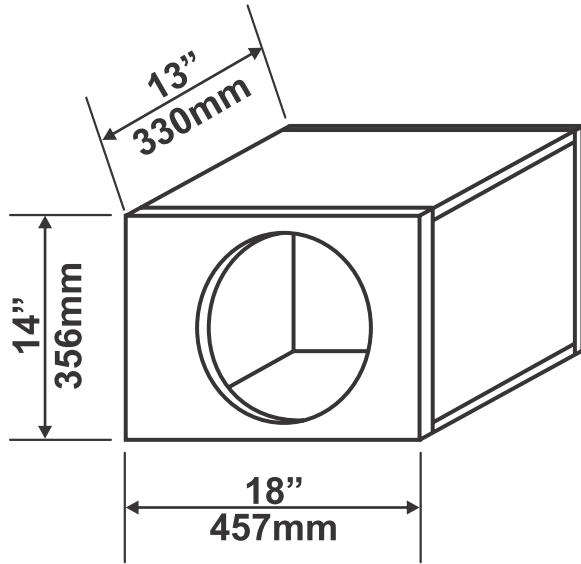
**Earthquake Sound Corporation
2727 McCone Avenue. Hayward, CA 94545**

You are responsible for the cost of shipping and insurance for the product(s). Please be sure to write the RMA number on every box.

(F) Disputes Resolution:

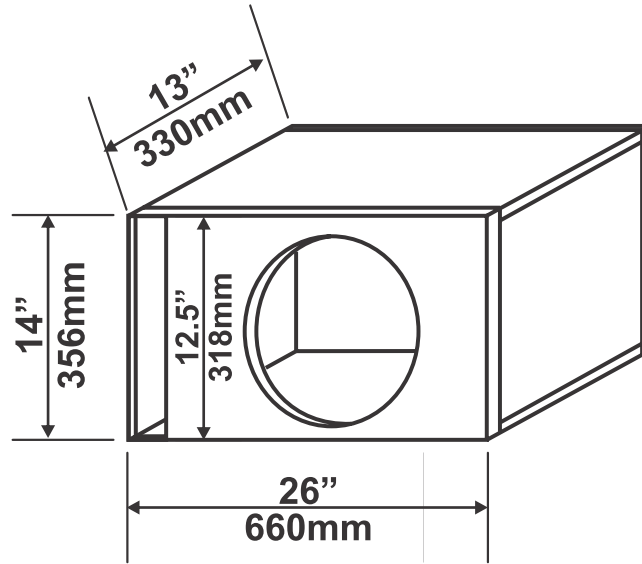
All disputes – between client(s) and Earthquake Sound Corporation – resulting from the five (5) year limited warranty policy must be resolved according to the laws and regulations of the county of Alameda, California.

Suggested Enclosure Designs



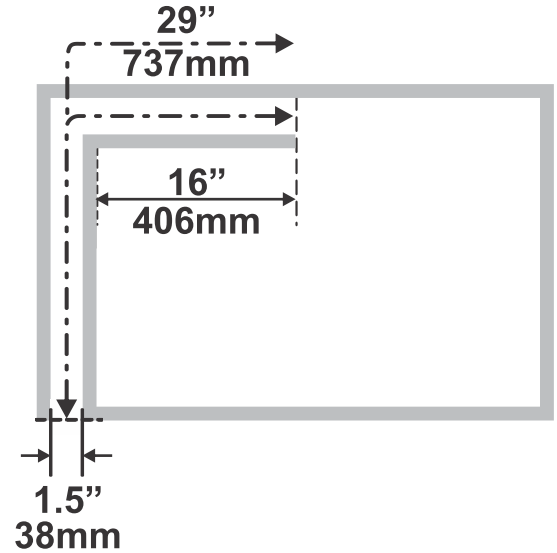
Sealed Box

internal volume: 1.37 ft³
[designed using 3/4" thick wood]

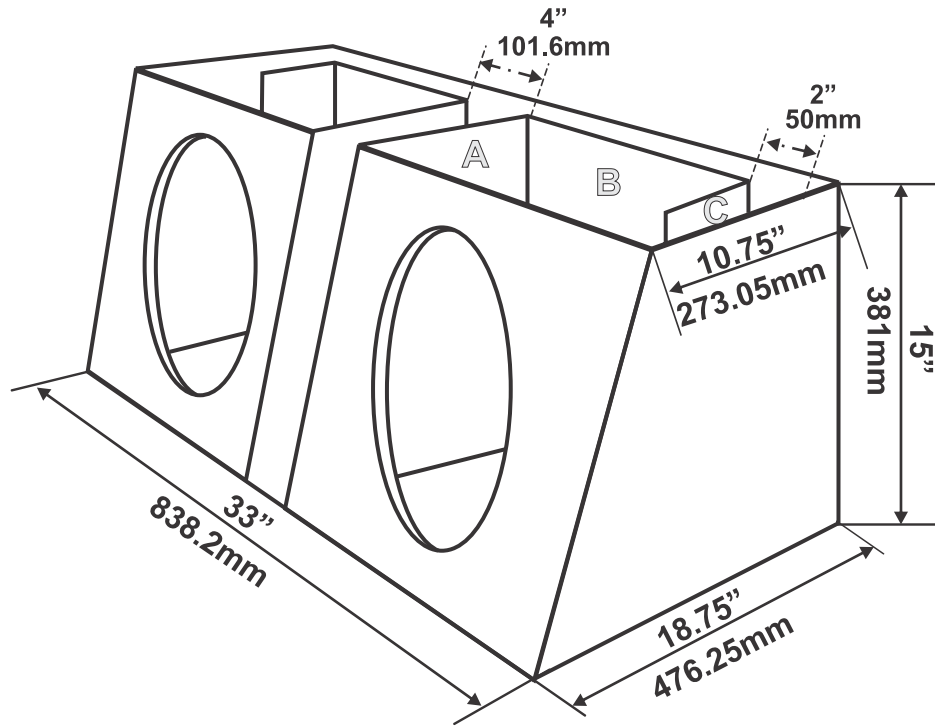
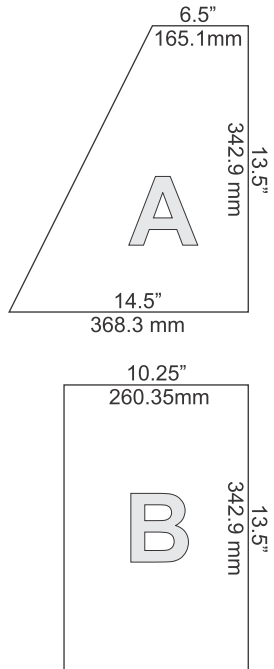


Ported/Vented Box

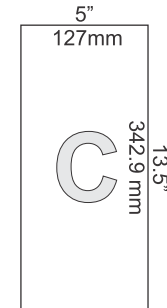
internal volume (including port): 2.04 ft³
[designed using 3/4" thick wood]



Suggested Enclosure Designs



* top side of the box not shown to illustrate the port transmission design



Ported/Vented Box
 internal volume (including port): 3.35 ft³
 [designed using 3/4" thick wood]



Earthquake Sound reserves the right to amend details of the specifications without notice.

© Copyright - Earthquake Sound Corporation

Earthquake Sound Corporation

2727 McCone Avenue. Hayward, CA 94545. USA

Phone: 510-732-1000 Fax: 510-732-1095

www.earthquakesound.com